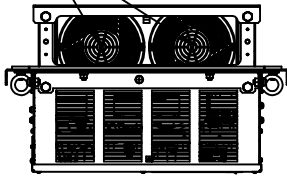
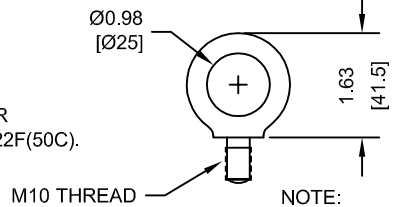


(2) EXTERNAL COOLING FANS

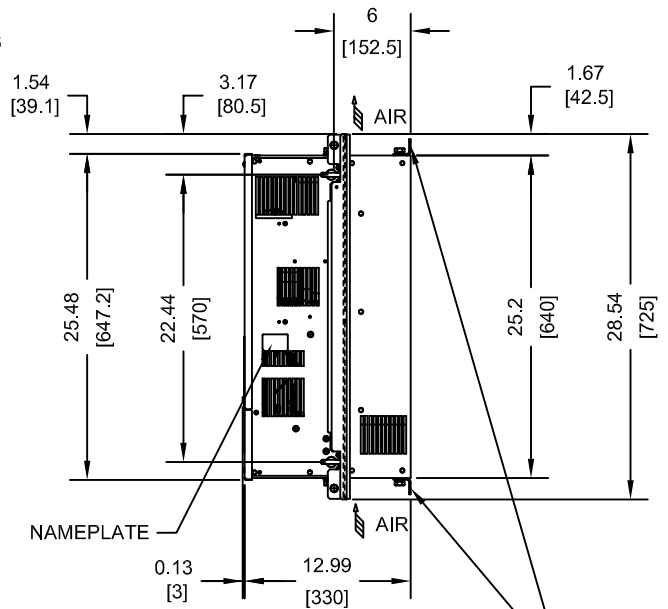
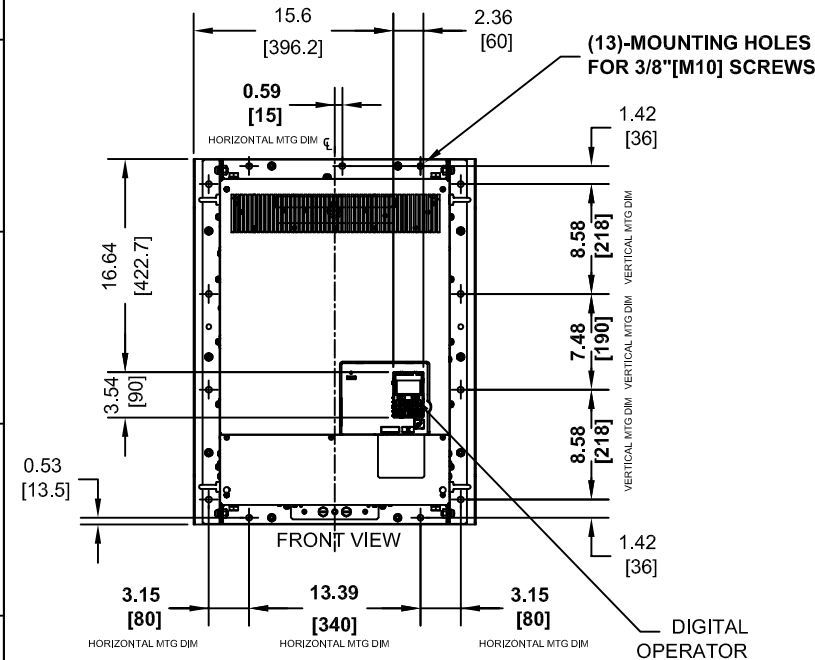


NOTE:
MAXIMUM SURROUNDING AIR
TEMPERATURE RATING IS 122F(50C).

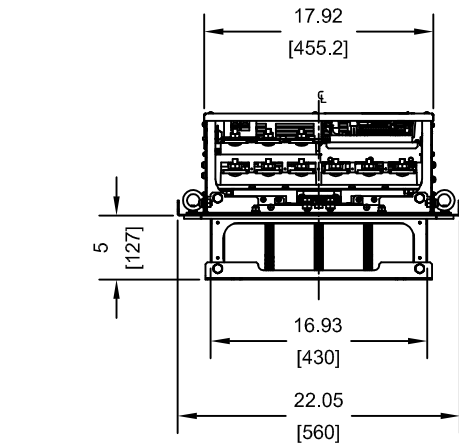
LIFTING AND EYEBOLT DETAILS



NOTE:
SPREADER BAR REQUIRED TO
AVOID DAMAGE DURING LIFTING



(2)-MOUNTING BRACKETS
USED DURING TRANSPORT ONLY
REMOVE BEFORE INSTALLING



MODEL # CIMR-AU	INPUT TYPE	VOLTAGE 3-PHASE (VAC)	OUTPUT CURRENT (A)		WEIGHT LBS (Kg)	HEAT LOSS (W)					
			ND	HD		ND (Fc=2kHz)			HD (Fc=SEE NOTES)		
						INT	EXT	TOT	INT	EXT	TOT
2A0250UXX	6 PULSE	200/240	250	215	183 (83)	594	1764	2358	466	1514	1980
2A0312UXX	6 PULSE		312	283	194 (88)	665	2020	2685	588	1936	2524
4A0208UXX	6 PULSE	380/480	208	180	191 (87)	607	1800	2407	541	1771	2312
4T0208UXX	12 PULSE		208	180	172 (78)	553	1746	2299	586	2199	2765
5A0125UXX	6 PULSE	500/600	125	99	191 (87)	537	1641	2178	422	1328	1750
5A0145UXX	6 PULSE		145	130	191 (87)	603	1860	2463	508	1638	2146

NOTES:
XX DENOTES AA-ZZ

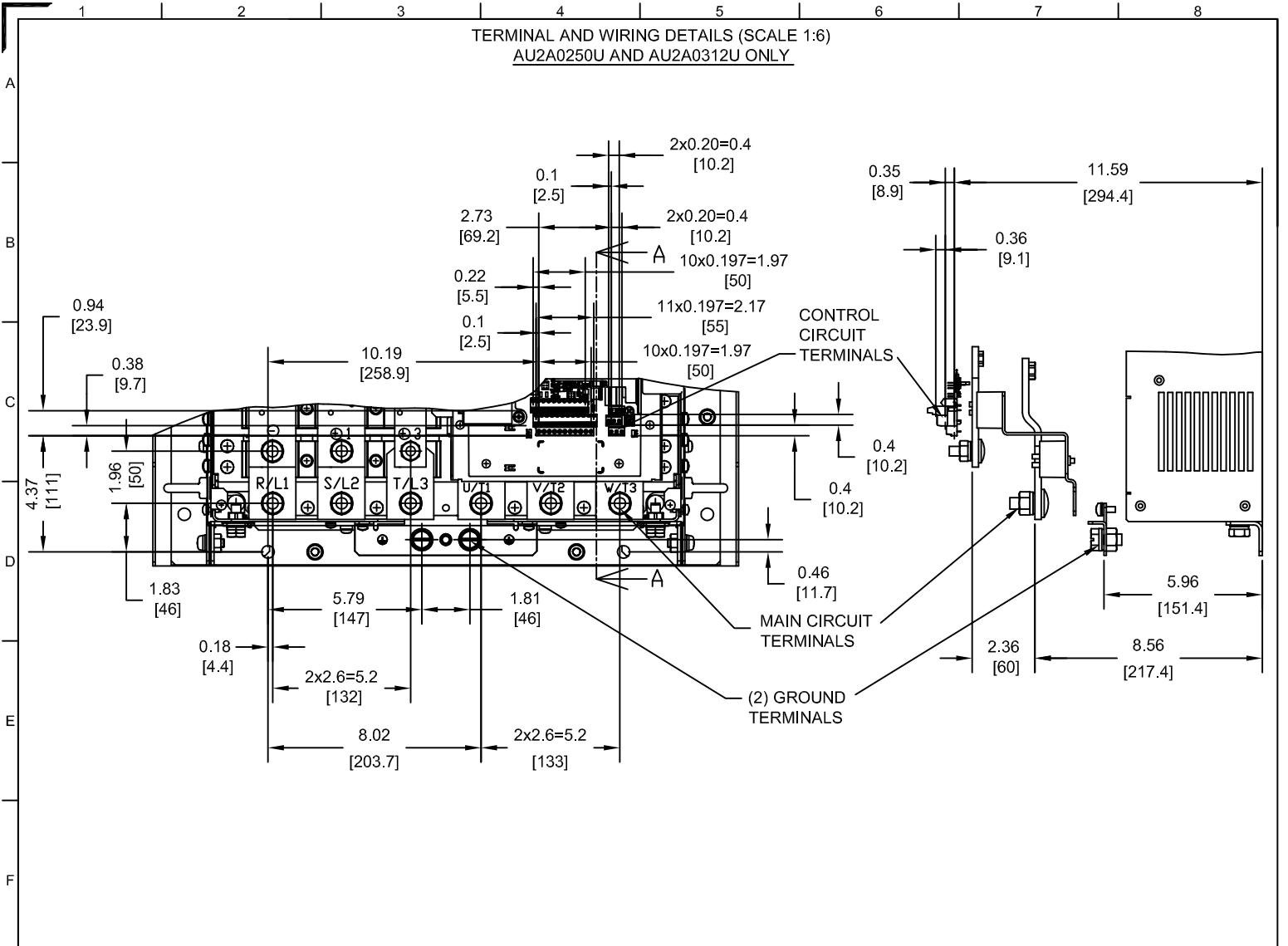
INT=INTERNAL COMPONENTS
EXT=EXTERNAL HEATSINK
TOT=TOTAL

FOR HD VALUES, CARRIER FREQ. IS SET TO:
Fc=5kHz FOR MODELS 2A0250, 2A0312, 4A0208 AND 4T0208
Fc=2kHz FOR MODELS 5A0125 AND 5A0145

FOR ADDITIONAL DETAILS AND SPECIFICATIONS, CONSULT MANUAL

TOLERANCES / REFERENCES:		DRAWN:	J. MATTAS	DATE:	1-11-12	TITLE:	A1000 DIMENSION DRAWING		
		CHECKED:	J. PIOTROWSKI	DATE:	2-10-12	FRAME SIZE 11	DESIGNED FOR IP54/TYPE 12 ENCLOSURES		
		TECH:	J. BORJA	DATE:	1-23-12	2A0250U-0312U, 4A0208U, 4T0208U, 5A0125U-0145U	SIZE	REVISION	PAGE
		APPROVED:	J. CAIRO	DATE:	4-7-12	A	R01	1 of 5	
UNITS:	SCALE:	ORIGINAL DESIGN:	-	DATE:	-	DRAWING #:			
IN [mm]	1:15	WITHOUT THE EXPRESS WRITTEN CONSENT OF YASKAWA AMERICA, INC.			DD.A1K.FR11.FLNG				

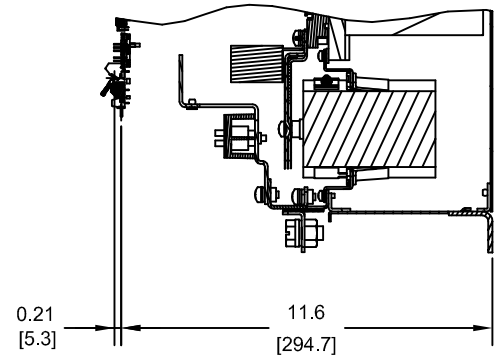
TERMINAL AND WIRING DETAILS (SCALE 1:6)
 AU2A0250U AND AU2A0312U ONLY



TERMINAL AND WIRE SPECIFICATIONS FOR
 MAIN CIRCUIT AND GROUND

MODEL # CIMR-AU	TERMINAL SYMBOL	TERMINAL SCREW	CLAMPING TORQUE lb.in.(N.m.)
2A0250U 2A0312U	R/L1, S/L2, T/L3	M12	283.2 TO 354.0 (32 TO 40)
	U/T1, V/T2, W/T3		
	⊖, ⊕1	M10	159.3 TO 203.6 (18 TO 23)
	⊕3	M12	283.2 TO 354.0 (32 TO 40)

NOTE: REFER TO APPLICABLE CODES FOR PROPER WIRE TYPE AND SIZE

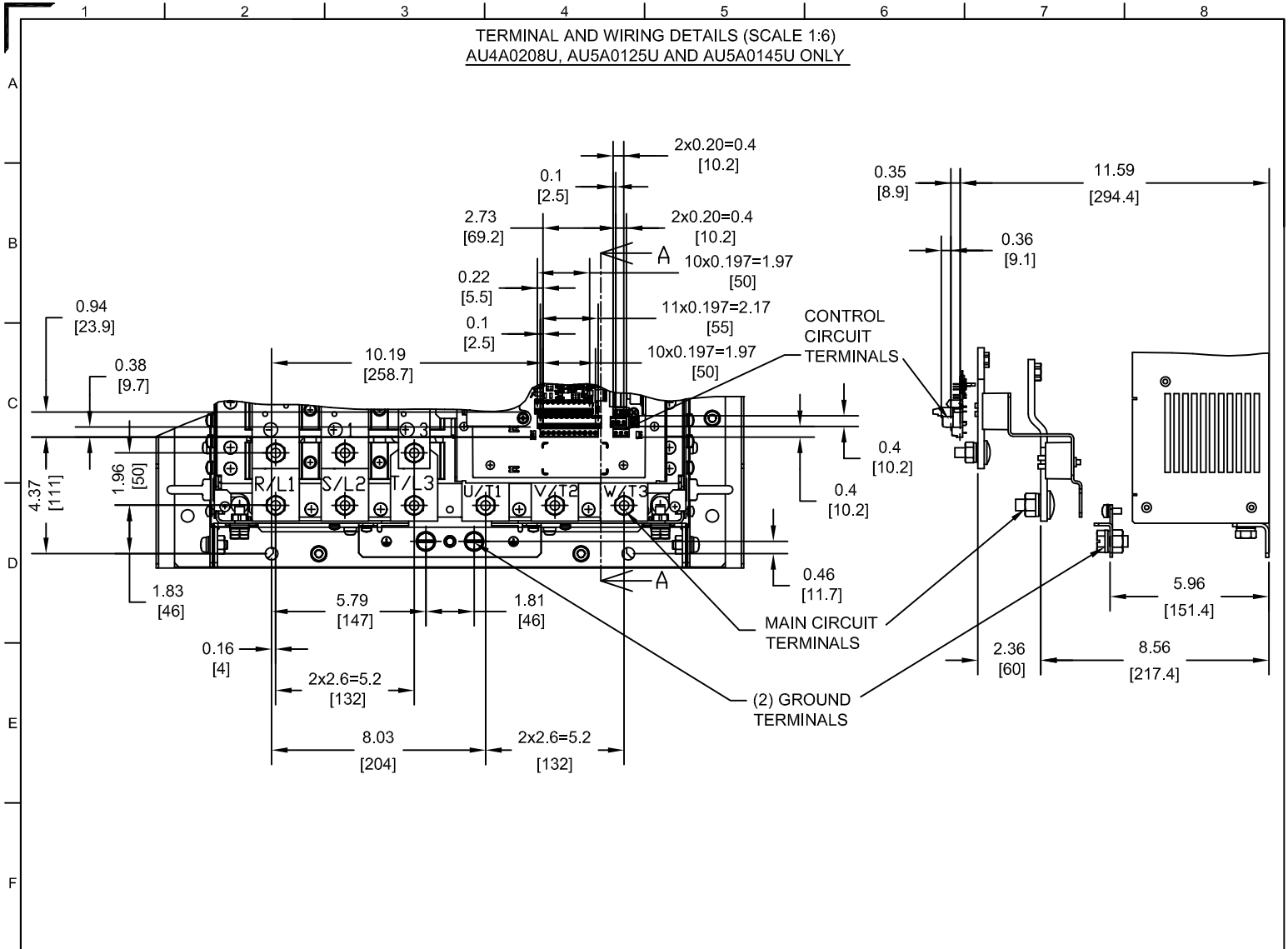


SECTION A-A

FOR ADDITIONAL DETAILS AND SPECIFICATIONS, CONSULT MANUAL

TOLERANCES / REFERENCES:			DRAWN: J. MATTAS CHECKED: J. PIOTROWSKI TECH: J. BORJA APPROVED: J. CAIRO ORIGINAL DESIGN: -	DATE: 1-11-12 DATE: 2-10-12 DATE: 1-23-12 DATE: 4-7-12 DATE: -	TITLE: A1000 DIMENSION DRAWING FRAME SIZE 11 DESIGNED FOR IP54/TYPE 12 ENCLOSURES 2A0250U-0312U, 4A0208U, 4T0208U, 5A0125U-0145U SIZE: A REVISION: R01 PAGE: 2 of 5 DRAWING #: DD.A1K.FR11.FLNG
UNITS: IN[mm]	SCALE: BY VIEW		THIS DOCUMENT AND INFORMATION CONTAINED IN IT ARE CONFIDENTIAL, AND CANNOT BE COPIED OR DISCLOSED IN WHOLE OR IN PART WITHOUT THE EXPRESS WRITTEN CONSENT OF YASKAWA AMERICA, INC.		

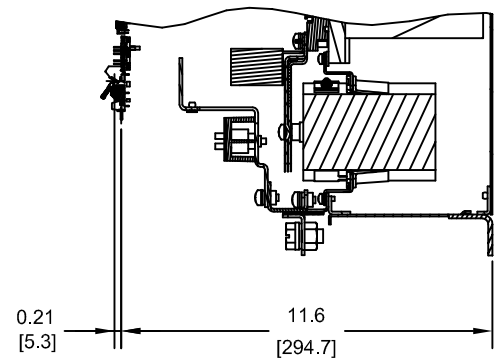
TERMINAL AND WIRING DETAILS (SCALE 1:6)
 AU4A0208U, AU5A0125U AND AU5A0145U ONLY



TERMINAL AND WIRE SPECIFICATIONS FOR
 MAIN CIRCUIT AND GROUND

MODEL # CIMR-AU	TERMINAL SYMBOL	TERMINAL SCREW	CLAMPING TORQUE lb.in.(N.m.)
4A0208U	R/L1, S/L2, T/L3	M10	159.3 TO 203.6 (18 TO 23)
	U/T1, V/T2, W/T3		
5A0125U	⊖, ⊕1	M10	159.3 TO 203.6 (18 TO 23)
5A0145U	⊕3	M10	159.3 TO 203.6 (18 TO 23)
	⊕	M10	159.3 TO 203.6 (18 TO 23)

NOTE: REFER TO APPLICABLE CODES FOR PROPER WIRE TYPE AND SIZE

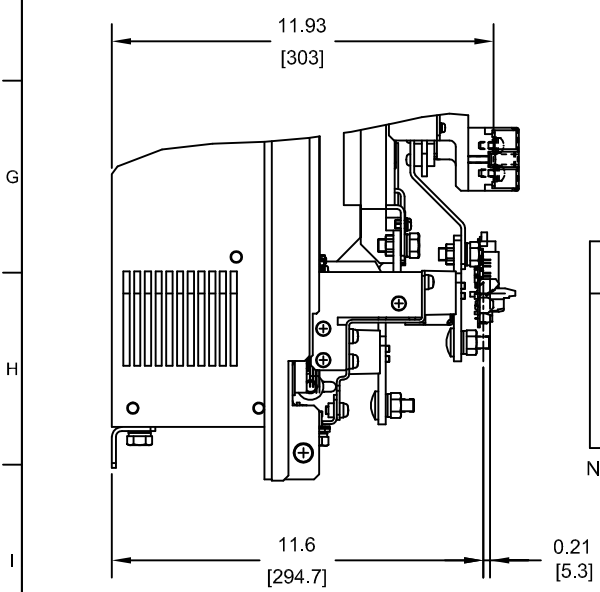
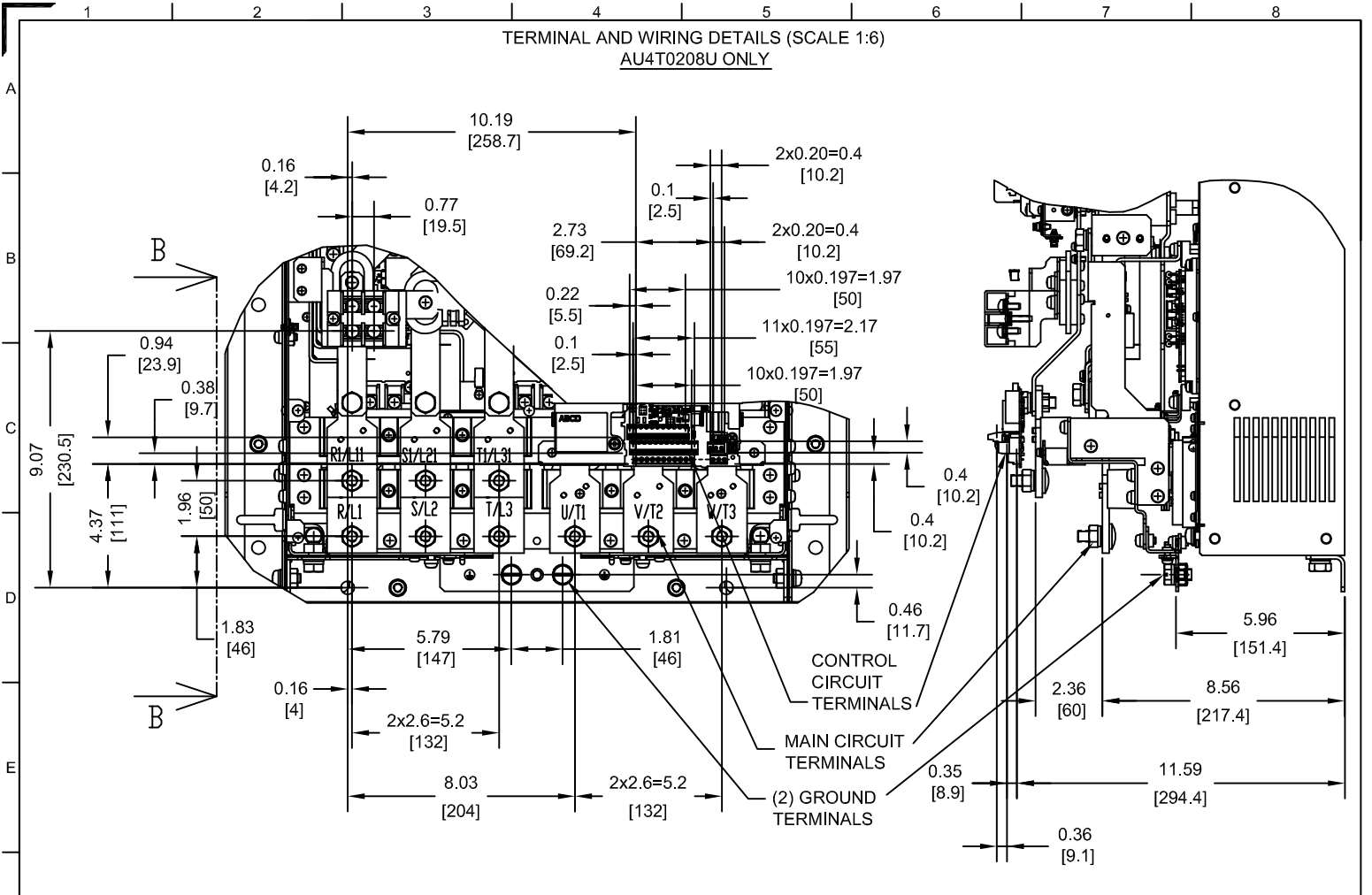


SECTION A-A

FOR ADDITIONAL DETAILS AND SPECIFICATIONS, CONSULT MANUAL

TOLERANCES / REFERENCES:			DRAWN: J. MATTAS DATE: 1-11-12	TITLE: A1000 DIMENSION DRAWING FRAME SIZE 11 DESIGNED FOR IP54/TYPE 12 ENCLOSURES 2A0250U-0312U, 4A0208U, 4T0208U, 5A0125U-0145U	
			CHECKED: J. PIOTROWSKI DATE: 2-10-12	TECH: J. BORJA DATE: 1-23-12	REVISION R01
		APPROVED: J. CAIRO DATE: 4-7-12	ORIGINAL DESIGN: -	DATE: -	DRAWING #: DD.A1K.FR11.FLNG
UNITS: IN [mm]	SCALE: BY VIEW	THIS DOCUMENT AND INFORMATION CONTAINED IN IT ARE CONFIDENTIAL, AND CANNOT BE COPIED OR DISCLOSED IN WHOLE OR IN PART WITHOUT THE EXPRESS WRITTEN CONSENT OF YASKAWA AMERICA, INC.			

TERMINAL AND WIRING DETAILS (SCALE 1:6)
AU4T0208U ONLY



SECTION B-B

TERMINAL AND WIRE SPECIFICATIONS FOR
MAIN CIRCUIT AND GROUND

MODEL #	TERMINAL SYMBOL	TERMINAL SCREW	CLAMPING TORQUE lb.in.(N.m.)	WIRE RANGE AWG(mm ²)
4T0208U	R/L1, S/L2, T/L3	M10	159.3 TO 203.6 (18 TO 23)	SEE NOTE
	R1/L11, S1/L21, T1/L31			
	U/T1, V/T2, W/T3	M6	22.1 TO 26.6 (2.5 TO 3.0)	22-1/0 (0.3-53.5)
	⊖, ⊕3			
	⊕	M10	159.3 TO 203.6 (18 TO 23)	SEE NOTE

NOTE: REFER TO APPLICABLE CODES FOR PROPER WIRE TYPE AND SIZE

FOR ADDITIONAL DETAILS AND SPECIFICATIONS, CONSULT MANUAL

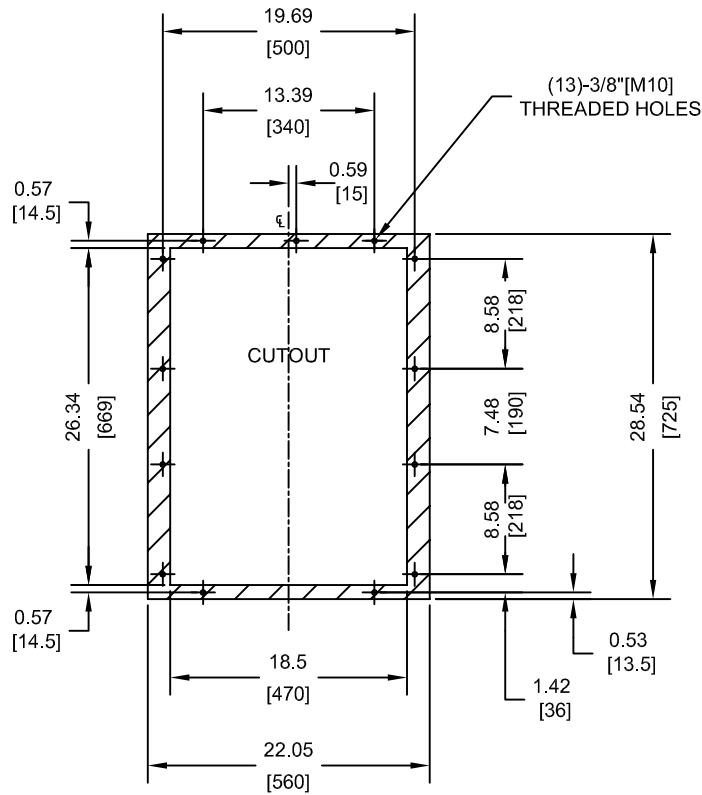
TOLERANCES / REFERENCES:		DRAWN: J. MATTAS	DATE: 1-11-12	TITLE: A1000 DIMENSION DRAWING		
		CHECKED: J. PIOTROWSKI	DATE: 2-10-12	FRAME SIZE 11		
		TECH: J. BORJA	DATE: 1-23-12	DESIGNED FOR IP54/TYPE 12 ENCLOSURES		
		APPROVED: J. CAIRO	DATE: 4-7-12	2A0250U-0312U, 4A0208U, 4T0208U, 5A0125U-0145U		
UNITS: IN[mm]	SCALE: BY VIEW	ORIGINAL DESIGN: -	DATE: -	SIZE: A	REVISION: R01	PAGE: 4 of 5
				DRAWING #: DD.A1K.FR11.FLNG		

THIS DOCUMENT AND INFORMATION CONTAINED IN IT ARE CONFIDENTIAL, AND CANNOT BE COPIED OR DISCLOSED IN WHOLE OR IN PART WITHOUT THE EXPRESS WRITTEN CONSENT OF YASKAWA AMERICA, INC.

1 2 3 4 5 6 7 8

A
B
C
D
E
F
G
H
I
J


**PANEL CUTOUT FOR EXTERNAL HEATSINK
MOUNTING CONFIGURATION (SCALE 1:15)**



NOTES:

1. CUTOUT TOLERANCES:
+/- 0.02IN (0.5MM)
2. EXPOSED HEATSINK DEPTH
D=5.00" MINUS PANEL THICKNESS
3. MIN. RECOMMENDED PANEL
THICKNESS: 10 GA

FOR ADDITIONAL DETAILS AND SPECIFICATIONS, CONSULT MANUAL

TOLERANCES / REFERENCES:			DRAWN: J. MATTAS 1-11-12	DATE: 1-11-12	TITLE: A1000 DIMENSION DRAWING		
			CHECKED: J. PIOTROWSKI 2-10-12	DATE: 2-10-12	FRAME SIZE 11 DESIGNED FOR IP54/TYPE 12 ENCLOSURES		
		THIS DOCUMENT AND INFORMATION CONTAINED IN IT ARE CONFIDENTIAL, AND CANNOT BE COPIED OR DISCLOSED IN WHOLE OR IN PART WITHOUT THE EXPRESS WRITTEN CONSENT OF YASKAWA AMERICA, INC.	TECH: J. BORJA 1-23-12	DATE: 1-23-12	2A0250U-0312U, 4A0208U, 4T0208U, 5A0125U-0145U		
			APPROVED: J. CAIRO 4-7-12	DATE: 4-7-12	SIZE: A	REVISION: R01	PAGE: 5 of 5
UNITS: IN [mm]	SCALE: BY VIEW		ORIGINAL DESIGN: -	DATE: -	DRAWING #: DD.A1K.FR11.FLNG		